

K P



Building & Construction



www.kamkiu.com

总公司 HQ:

Kam Kiu Aluminium Products Group Ltd.

: 1 1817
Add: Rm17, 18/F, Concordia Plaza, 1 Science Museum Road,
Tsimshatsui East, Kowloon, Hong Kong
(Tel):
(Fax):
Email: info@kamkiu.com

生产基地 Production Facility:

Taishan City Kam Kiu Aluminium Extrusion Co., Ltd.

:
Add: Dajiang Town, Taishan City, Guangdong, China
Post: 529261
Tel:
Fax:



Company Profile

Kam K u Alum n um Group (KAP), established in 1983, is an aluminum extrusion company on series 1-7 alloy, which employs over 2,300 people, possesses 30 direct extrusion presses, 4 indirect extrusion presses from 550UST to 6,180UST and 2 ArSi p casting systems. We have the comprehensive operation system including die design and manufacturing, billet casting, extrusion, surface treatment and precision machining. Our aluminum product covers high end electronics products, automotive, transportation, vessel, industrial applications, building and construction etc.

Kam K u Alum n um Group is certified with ISO9001, IATF16949, automotive standard; DNV, Norway marine standard; BV, France ship standard; CCS, China ship standard; ISO14001, environmental standard; OHSAS18001 occupational health and safety standard etc.



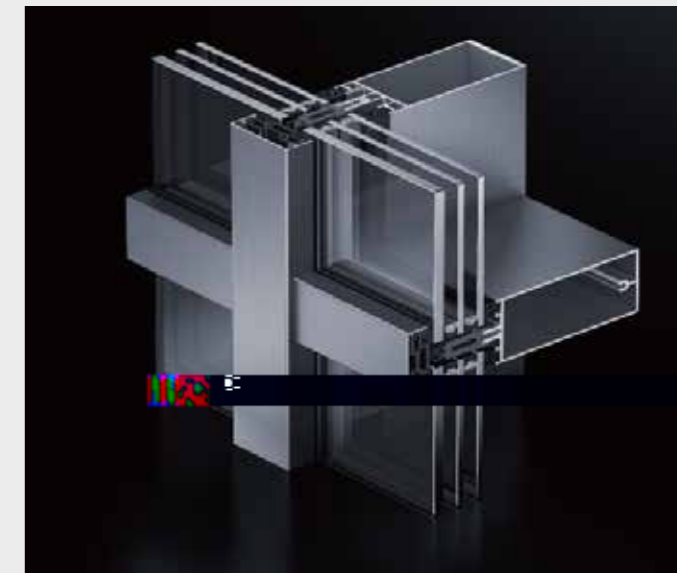
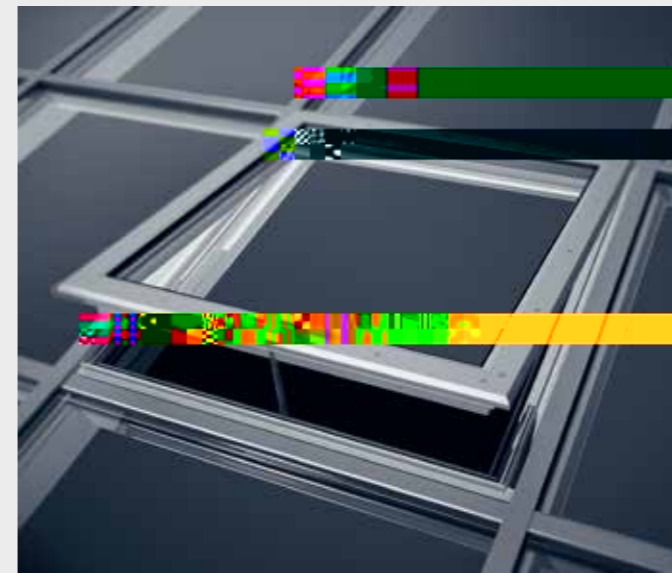
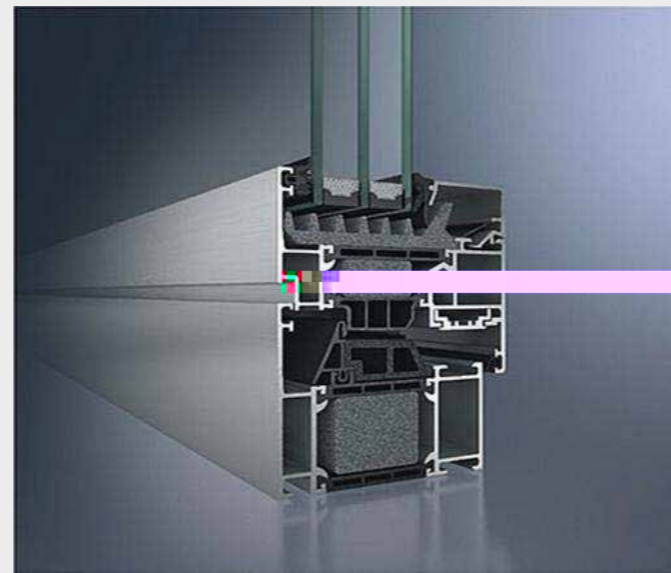
Process

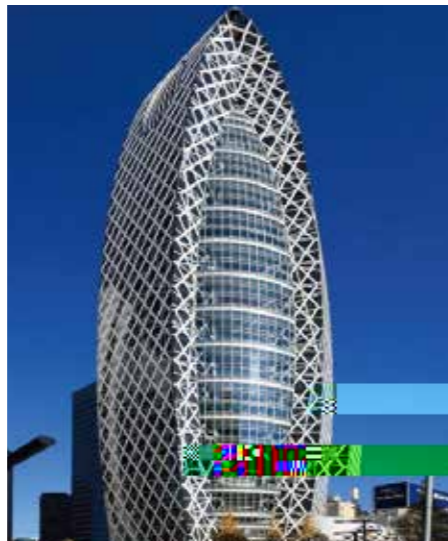
Aluminum

Certification

Product Introduction

Tân Sơn Kê Aluminiun Factory Co., Ltd serves worldwide demands of high quality aluminum products and precision machining services on doors and windows.





cooperat ve partner

